

DermaTACS™
In Situ Apoptosis Detection Kit

DermaTACS™
In Situ Apoptosis Detection Kit

Catalog# 4829-30-K

Reagent kit for *in situ* detection of apoptosis in
dermal tissue sections and cells.

30 samples

Catalog# 4829-30-K

Table of Contents

	<u>Page</u>
I. Quick Reference Procedure	1
II. Background	2
III. Precautions and Limitations	2
IV. Materials Supplied	2
V. Materials/Equipment Required But Not Supplied	3
VI. Reagent Preparation	3
VII. Assay Protocol	5
VIII. Controls	12
IX. Data Interpretation	13
X. Troubleshooting	13
XI. References	15
XII. Related Products Available from Trevigen	16
XIII. Appendices	17

I. Quick Reference Procedure for DermaTACS™ (cat# 4829-30-K):

Read through the complete *Instructions for Use* prior to using this kit. Some incubation times and washes must be optimized using the controls to maximize labeling. All steps are performed at room temperature unless otherwise noted.

This page is designed to be photocopied and used as a checklist:

- 1. Immerse hydrated, fixed, and immobilized sample in 1X PBS (page 3) for 10 minutes.
- 2. Cover sample with 50 µl of Proteinase K Solution (page 4) for 15-30 minutes, or cover sample with 50 µl of Cytonin™ (page 4) for 30 minutes.
- 3. Wash two times in deionized water, 2 minutes each.
- 4. Immerse sample in Quenching Solution for 5 minutes (page 4)
- 5. Wash sample in 1X PBS for 1 minute.
- 6. Immerse sample in 1X TdT Labeling Buffer for 5 minutes (page 4).
- 7. Cover sample with 50 µl of Labeling Reaction Mix (page 4). Incubate for 30-60 minutes at 37°C in a Humidity Chamber (page 19).
- 8. Immerse sample in 1X TdT Stop Buffer (page 4) for 5 minutes.
- 9. Wash two times in 1X PBS, 2 minutes each.
- 10. Cover sample with 50 µl of Antibody Solution (page 5), and incubate for 30 minutes at 37 °C in a Humidity Chamber (page 19).
- 11. Wash three times in PBST (page 3), 2 minutes each.
- 12. Cover sample with 50 µl of Strep-HRP solution (page 5), and incubate for 10 minutes.
- 13. Wash two times in 1X PBS, 2 minutes each.
- 14. Wash one time in deionized H₂O, 2 minutes.
- 15. Cover samples with 50 µl of TACS-Blue Label™ (page 5) for 2-5 minutes.
- 16. Wash samples in two changes of deionized H₂O, 2 minutes each.

II. Background

Apoptosis is characterized by a number of intracellular phenomena such as membrane blebbing, chromatin condensation and nuclear DNA fragmentation. Detection of nuclear DNA fragmentation is a widely accepted method to assay for apoptosis and can be performed *in situ* by incorporating labeled nucleotides onto the free 3' OH ends of DNA fragments using a terminal deoxynucleotidyl transferase enzyme (TdT). Terminal dUTP nick-end labeling (TUNEL) allows monitoring of apoptotic events among cells and within tissue sections.

The **DermaTACS™ *in situ* Apoptosis Detection Kit** was developed by Trevigen's scientists to improve on background problems that can compromise data interpretation. Incorporation of brominated deoxyuridine (BrdU), which is more efficiently incorporated by TdT than biotinylated nucleotides at DNA fragmentation sites, is detected using a highly specific and sensitive biotinylated anti-BrdU antibody in combination with a streptavidin-peroxidase conjugate. Labeled cells are visualized using TACS Blue Label™ providing unprecedented signal to noise ratios in competitive testing.

The **DermaTACS™ *in situ* Apoptosis Detection Kit** provides all the reagents (see sections III and IV) for the detection of DNA fragmentation among skin cells and dermal tissue sections. DermaTACS™ generates an intense blue staining in cells with DNA fragmentation, easily visualized against a pale red counterstain. In addition, Cytonin™, a non-lipophilic detergent based buffer optimized for the permeabilization of cells prior to labeling, and Strep- Diluent, a proprietary blocking reagent that contributes to the low background obtained with DermaTACS™ are provided. Please see pages 16 for information on additional Trevigen products available for the study of apoptosis.

III. Precautions and Limitations

1. For Research Use Only. Not for use in diagnostic procedures.
2. The physical, chemical and toxicological properties of these products may not yet have been fully investigated therefore Trevigen recommends the use of gloves, lab coats and eye protection while using these chemical reagents. Trevigen assumes no liability for damage resulting from handling or contact with these products.
3. The DermaTACS Kit contains reagents that are harmful if swallowed or in contact with skin, and irritating to the eyes, respiratory system and skin. In case of contact with eyes, rinse immediately with plenty of water and seek medical advice. Material safety data sheets are available on request.

IV. Materials Supplied

<u>Component</u>	<u>Amount Provided</u>	<u>Storage</u>	<u>Catalog #</u>
Cytonin™	5 ml	4 °C	4876-05-01
Proteinase K	30 µl	-20 °C	4800-30-01
10X TdT Labeling Buffer	100 ml	4 °C	4810-30-02
10X TdT Stop Buffer	100 ml	4 °C	4810-30-03
B-dNTP Mix	30 µl	-20 °C	4828-30-04
TdT Enzyme	30 µl	-20 °C	4810-30-05
Strep-HRP	30 µl	4 °C	4800-30-06
TACS Blue Label™	1.5 ml	4 °C	4800-30-11
Anti-BrdU Antibody	30 µl	4 °C	4828-30-06
Strep-Diluent	7.5 ml	4 °C	4828-30-12
TACS-Nuclease™	15 µl	-20 °C	4800-30-15
TACS-Nuclease™ Buffer	1.5 ml	4 °C	4800-30-16
Red Counterstain C	50 ml	RT	4800-30-19

V. Materials/Equipment Required But Not Supplied

Equipment

- 1 - 20 µl, 20 - 200 µl, and 200 - 1000 µl pipettors
- 37 °C incubator
- 50 and 500 ml graduated cylinders
- 2 Coplin jars
- 20 °C and 4 °C storage
- ice bucket
- standard light microscope
- cryostat or microtome
- humidity chamber
- 57 °C incubator or slide warmer
- timer

Reagents

- Apoptosis Grade™ Water
- 10X PBS
- 37% Formaldehyde
- o- or p-xylene
- 30% hydrogen peroxide
- 95% and 100% ethanol (or denatured alcohol)
- methanol
- Mounting Medium (cat# 4865-25) or alternative e.g. Permount

Disposables

- Treated Glass Microscope Slides (or alternative support)
 - 50 ml tubes
 - 1 - 200 µl and 200 - 1000 µl pipette tips
 - microcentrifuge tubes
 - 1.5 and 10 ml serological pipettes
 - gloves
 - Hydrophobic Coverslips (optional)
 - glass coverslips
- Available from Trevigen, Inc. (please see page 16)

VI. Reagent Preparation

Reagents marked with an asterisk (*) should be prepared immediately before use. The volumes given for each reagent are based on processing samples of up to 4 cm² immobilized on glass slides. Different configurations of chamber slides, culture plates, free floating sections, and the use of glass coverslips may require adjustments to the stated volumes.

1. 1X PBS

Please see page 16 for purchase or preparation of 10X PBS.

Approximately 500 ml of 1X PBS is used to process 1 to 10 slides. Dilute 10X PBS to 1X using distilled water. Store 1X PBS at room temperature.

2. PBST

Approximately 200 ml of PBS-0.05% Tween[®] 20 is used to process 1 to 10 slides. To prepare add:

1X PBS	200 ml
Tween [®] 20	100 µl

3. *3.7% Buffered Formaldehyde

If required, 50 ml of freshly prepared fixative is used to process 1 to 10 samples. To prepare add:

37% formaldehyde	5 ml
10X PBS	5 ml
ddH ₂ O	40 ml

Wear gloves and exercise caution when handling formaldehyde solutions. Refer to Appendix B (page 17) for alternative fixation methods.

4. *Proteinase K Solution

Use 50 µl of Proteinase K Solution per sample. Store on ice. Thaw provided Proteinase K (cat# 4800-30-01) at room temperature, then place on ice. To prepare add:

	<u>2 samples</u>	<u>10 samples</u>	<u>n samples</u>
Deionized water	100 µl	500 µl	n x 50 µl
Proteinase K (cat# 4800-30-01)	2 µl	10 µl	n x 1 µl

Under some circumstances, the Proteinase K may be used at a 1:200 dilution. For guidelines please refer to Appendix C (page 18).

5. Cytonin™ (cat# 4876-05-01)

If required, 50 µl of Cytonin™ is used per sample. Cytonin™ is ready for use. Store at 4 °C. Discard if solution is cloudy.

6. *Quenching Solution

Use 50 ml of Quenching Solution to process 1 to 10 samples. To prepare add:

Methanol	45 ml
30% hydrogen peroxide	5 ml

Always use fresh 30% hydrogen peroxide. It is recommended that 6 ml aliquots of fresh 30% hydrogen peroxide be made and stored at 4 °C. For each labeling procedure, use a fresh 30% hydrogen peroxide aliquot then discard the unused portion.

7. 1X TdT Labeling Buffer

Dilute the 10X TdT Labeling Buffer (cat# 4810-30-02) to 1X using distilled water. Leave at room temperature until use. Use 50 ml of 1X Labeling Buffer to process 1 to 10 samples. Remove an aliquot of 50 µl per sample for preparing the Labeling Reaction Mix (see below) and place on ice.

8. *Labeling Reaction Mix

Thaw B-dNTP Mix (cat# 4828-30-04) at room temperature, then place on ice. To maintain optimal enzyme activity, remove the TdT Enzyme (cat# 4810-30-05) tube from freezer only long enough to pipette the required volume. Alternatively, place the TdT Enzyme in a -20 °C freezer block. Prepare the Labeling Reaction Mix just before use and keep the prepared reaction mix on ice. Prepare 50 µl per sample in the sequence given below:

	<u>2 samples</u>	<u>10 samples</u>	<u>n sample</u>
B- dNTP Mix (cat# 4828-30-04)	2 µl	10 µl	n x 1 µl
TdT Enzyme (cat# 4810-30-05)	2 µl	10 µl	n x 1 µl
1X TdT Labeling Buffer (Step 7)	100 µl	500 µl	n x 50 µl

Also prepare a separate mix for the positive control (see item 16, page 5).

9. 1X TdT Stop Buffer

Dilute the 10X TdT Stop Buffer (cat# 4810-30-03) to 1X using distilled water. Leave at room temperature until use. Use 50 ml of 1X TdT Stop Buffer to process 1 to 10 samples.

10. Antibody solution

Use 50 µl of diluted antibody per sample. To prepare add:

	2 samples	10 samples	n samples
Anti-BrdU (cat# 4828-30-06)	2 µl	10 µl	n x 1 µl
Strep-Diluent (cat# 4828-30-12)	100 µl	500 µl	n x 50 µl

11. Strep-HRP Solution

Use 50 µl of Strep-HRP Solution per sample. Store prepared Strep-HRP Solution on ice until use. To prepare add:

	1-16 samples
Strep-HRP Diluent (cat# 4828-30-12)	800 µl
Strep-HRP (cat# 4800-30-06)	1 µl

12. TACS Blue Label™ (cat# 4800-30-11)

50 µl of TACS Blue Label™ is used per sample. It is provided ready to use. A faint blue coloration may be observed on storage which does not affect stability or activity. Store at 4 °C.

13. Red Counterstain C (cat# 4800-30-19)

Red Counterstain C is ready to use. Red Counterstain C can be reused many times. Store in a closed container to prevent evaporation. For long term storage, keep away from light.

14. o- or p-Xylene

Mixed xylenes may be used for deparaffinization and for clarification prior to mounting coverslips onto the samples. Xylenes used for deparaffinization may be reused several times. Xylenes used in deparaffinization should not be used for clarification.

15. 100%, 95%, 70% ethanol

Either 100% (200 proof) or denatured alcohol (90% ethanol, 5% methanol, 5% isopropanol) may be used. Dilute with deionized water to prepare 95% and 70% solutions. Ethanol used for deparaffinization may be reused several times. Ethanol used in deparaffinization should not be used for dehydration.

16. *TACS-Nuclease™ and Buffer

For the preparation of a Nuclease-treated control sample, TACS-Nuclease™ may be used directly in the labeling mix (see below) or used diluted in a separate step (please see Section VIII, page 12). Avoid repeated freeze-thaw of TACS-Nuclease™. Per positive control prepare:

	per positive control
1X TdT Labeling Buffer (Step 6)	50 µl
B- dNTP Mix (cat# 4828-30-04)	1 µl
TdT Enzyme (cat# 4810-30-05)	1 µl
TACS-Nuclease™	1 µl

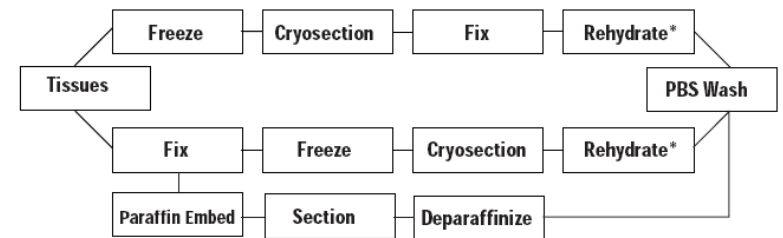
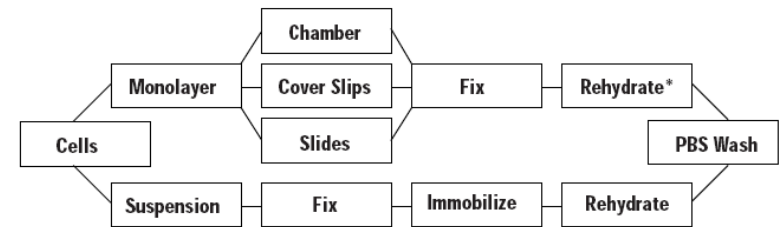
*Reagents should be prepared immediately before use.

VII. Assay Protocol

It is important to read through the Instructions before preparing tissue or cell samples for labeling. There are key steps that are very important for successful labeling. This section includes instructions for sample preparation, *in situ* labeling and viewing. The assay protocol for labeling is in tabulated form and details the steps involved in the labeling reaction and in preparing the sample for viewing. Prior to labeling, the samples must be

rehydrated, if necessary, and washed in PBS. The labeling procedure begins with samples in PBS regardless of the fixation and immobilization method.

Follow the appropriate flow diagram (below) to determine the correct sequence of steps needed to prepare samples. Details for preparing cells and tissues before labeling are provided in Section VII. A. *Sample Preparation and Fixation* (below). The tissue or cell type, source, storage conditions, facilities and equipment available will help determine which method is most appropriate. In addition, careful consideration of each method's advantages and disadvantages should be made. The Appendix provides alternative preparation methods including analysis by electron microscopy. Contact Trevigen's Technical Service for additional information about other methods not described.



* Rehydration may not be required if samples are not dried.

A. Sample Preparation and Fixation

1. Preparation of Cells in Culture

a. Preparation of Suspension Cells

Adherent cultured cells, such as keratinocytes, may float into the medium, and it may be necessary to recover these cells for analysis. Harvested floating cells, or suspension cells prepared from dissociated tissues can be fixed in solution, then spotted onto pretreated glass microscope slides for processing. This method is quick and easy and requires no special equipment. Cells immobilized onto glass slides can be stored for several months.

Method

1. Harvest cells by centrifugation at 500 x g for 5 minutes at room temperature.
2. Discard media and resuspend at 1 x 10⁶ cells per ml in 3.7% buffered formaldehyde. Let stand for 10 minutes at room temperature.

3. Centrifuge at 500 x g for 5 minutes at room temperature and discard fixative.
4. Resuspend at 1×10^7 cells per ml in 80% ethanol. Cells can be stored in 80% ethanol at 4 °C for several weeks. However, signal intensity in positive cells will reduce with time due to loss of small DNA fragments.
5. Spot 1×10^5 cells onto clean glass microscope slide. Dry for 20 minutes on slide warmer at 45 °C.

Note: Glass slides pretreated for electrostatic adherence are recommended (e.g. Trevigen Three Ring Treated Microscope Slides, cat# 4864-100). Other slide treatments (e.g. gelatin, poly-L-lysine) can cause increased background staining.

6. Immerse slide in 70% ethanol for 10 minutes, then air dry overnight at room temperature or dry at 45 °C for 2 hours. Samples may be stored at this point. Store samples at 4 °C in airtight containers with desiccant for up to several months. After storage, rehydrate through a decreasing alcohol series and wash in 1X PBS prior to the labeling reaction (step 7 and 8 below).
7. Rehydrate by immersing for 5 minutes each in 100%, 95%, then 70% ethanol.
8. Immerse in 1X PBS and proceed to Section VII. B. *In Situ Labeling Procedure*, on page 10.

b. Preparation of Cells in Monolayer

For optimal labeling of keratinocytes, the cells should be grown on a surface that allows for both fixation and direct labeling, such as sterile chamber slides, cover slips or directly onto slides.

On Sterile Chamber Slides

Remove the chamber walls and gasket after fixation. The chamber walls and gasket may be left in place during the labeling reaction if different treatments, e.g. no enzyme and nuclease treatment, are required for adjacent samples on the same slide.

On Sterile Slides

Other cell culture methods include culturing directly on microscope slides. The slides must be sterile and, if necessary, pretreated to ensure cell adhesion. Sterilize microscope slides by autoclaving in a large glass Petri dish. If needed, coat slides with sterile poly-L-lysine or collagen, however, these slide pretreatments may increase background staining. Place sterile microscope slides in culture vessel directly before plating cells.

On Sterile Glass Coverslips

Cells can be cultured directly on sterile coverslips that are placed into a 12- or 24-well tissue culture plate. Sterilize coverslips by autoclaving in a large glass Petri dish. If needed, coat coverslips with sterile poly-L-lysine or collagen, however, these slide pretreatments may increase background staining. Place sterile glass coverslips in wells of tissue culture dishes (12 mm coverslips fit into 24-well tissue culture plates) using fine tipped sterile forceps. Handle only at edges prior to cell plating.

Method

1. Remove media from cells and rinse once with 1X PBS at room temperature.
2. Fix cells for 10 minutes at room temperature in 3.7% buffered formaldehyde.
3. Wash cells one time in 1X PBS. Samples can be stored at this point, using one of the following methods:
 - a) Dehydrate the cells by passing through an increasing alcohol series of 70%, 95%, and 100% ethanol for 5 minutes each followed by air drying for 10 minutes. Store at 4 °C with desiccant.
 - b) Fixed cells can be stored for up to 1 week in Cytonin™ at 4 °C. The samples must be covered to prevent contamination and evaporation. If experimental design dictates a time course extending over several days, storage in Cytonin™ is recommended.

Note: labeling directly after fixation is optimal as the labeling of some samples is less efficient after storage. If possible, a pilot study should be performed to ensure that stored fixed samples can be labeled.

4. Proceed to Labeling Procedure on page 10.

A.2 Preparation of Tissues

Use of glass slides pretreated for electrostatic adherence is recommended for all tissues (e.g. Trevigen's Treated Glass Microscope Slides, cat# 4861-72).

a. Preparation of Fresh Frozen Sections

Fresh tissue requires minimal fixation and frozen samples are easily permeabilized for labeling. Some disadvantages include the difficulty in collecting good quality sections, the need to cut thicker sections, and poor retention of morphology. Frozen sections are less resistant to protease treatments and can lift off if not collected onto the appropriately pretreated slides and dried thoroughly. **Samples must be fixed prior to labeling.**

i) Freeze Tissue

Rapidly freeze tissue or biopsy immediately after removal by immersing in liquid nitrogen or on dry ice. Store frozen tissue below -70 °C.

ii) Cryosection Frozen Tissue

Samples may be embedded in a cutting matrix. Position the sample within cutting matrix in a suitable container. Immerse embedded tissue in isopentane chilled on dry ice. Frozen samples may be stored for many months at -80 °C.

Using the cutting matrix, attach the sample to cutting block and equilibrate to the temperature of the cryostat before sectioning. Collect sections between 6-15 µm on glass slides pretreated for electrostatic adherence.

Individual expertise and tissue type will determine the thickness of the sections. Sections between 10-15 µm provide the best results. Sections between 6-9 µm tend to tear during cutting, resulting in rough edges that can increase background staining. Up to 3 sections can be placed per slide; each spaced well apart to prevent reagents from mixing between samples.

iii) Fixation after cryosectioning

Method

1. It is critical to dry the samples thoroughly after sectioning. Dry overnight at room temperature or for at least 2 hours at 45 °C on a slide warmer. Samples can be stored at this point. Store slides at -80 °C with desiccant for up to 3 months. After storage equilibrate samples to room temperature and redry for 2 hours at room temperature or 2 hours on a slide warmer at 45 °C.
2. Rehydrate by immersing for 5 minutes each in 100%, 95%, then 70% ethanol.
3. Wash 2X in 1X PBS for 5 minutes each.
4. Fix samples by immersing in 3.7% buffered formaldehyde for 10 minutes at room temperature.
5. Wash cells 1 time in 1X PBS.
6. Proceed to Labeling Procedure on page 10.

b. Preparation of Fixed Samples Before Sectioning – Immersion or Perfusion

i) Fixation

Samples are routinely fixed by immersion or perfusion methods. After fixation, samples are cryosectioned or paraffin embedded. Formaldehyde is the recommended fixative based on laboratory testing. However, other fixatives that maintain DNA integrity may be used. These

include other cross linking agents such as paraformaldehyde and glutaraldehyde. Bouin's reagent should be avoided due to the high acidity. If alternative fixatives are used, it is recommended that a pilot study is performed to ensure that the fixative allows for permeabilization and labeling. Regardless of the fixative used, it is important not to fix cells and tissues for extended periods of time. Post-fixation in acetone, ethanol, or methanol is common in preparation of tissues and is usually compatible with DermaTACS™.

Immersion Fixation

Skin samples are routinely fixed by immersion. It is useful to shave the skin prior to fixation to prevent air bubble formation on immersion. The fixation time should ensure good cross-linking but prevent tissue from becoming hard and brittle. Some empirical determination of the optimal fixation time may be required. Immerse relatively small pieces of tissue (1 cm³) in at least 10 volumes of 3.7% buffered formaldehyde. After 30 minutes change to fresh fixative and leave at room temperature up to 24 hours.

Perfusion Fixation

Standard laboratory procedures should be followed for perfusion fixation. Formaldehyde, paraformaldehyde or glutaraldehyde may all be used as fixatives. After perfusion, the dissected skin tissue should be immersed in fresh fixative for up to 24 hours.

Storage of Fixed Samples

Fixed samples may be stored for long periods. For long term storage, use 70% ethanol or sterile 1X PBS at 4 °C to avoid extended exposure to fixative. Archival material that has been stored in fixative for months or years will be more difficult to permeabilize and may not be useful for *in situ* detection of apoptosis due to DNA degradation.

ii) Sectioning of Fixed Skin Tissue

Cryosection Fixed Tissues

Immerse fixed sample in 20% sucrose in water at room temperature until the sample sinks. Embed the cryoprotected sample in cutting matrix and freeze. Collect sections of 6-10 µm onto slides pretreated for electrostatic adherence of samples and dried as described in *Preparation of Fresh Frozen Sections* (previous page).

Note: When collecting onto slides from buffer use either a low salt buffer or deionized water to ensure that samples adhere to slides.

Storage of Sectioned Tissues and Rehydration after Storage

Sections of fixed frozen tissue may be stored at -80 °C, with desiccant, for up to one month. After storage, the slides should be equilibrated to room temperature (RT) and dried for 2 hours at RT or at 45 °C on a slide drier. Rehydrate samples before labeling by immersing for 5 minutes each in 100%, 95%, then 70% ethanol and wash for 10 minutes in 1X PBS.

Section Paraffin Embedded Tissues

Paraffin embedding is a routine procedure in many laboratories and is commonly performed by automated equipment. The temperature of the molten paraffin must not exceed 65 °C, otherwise additional DNA damage can occur leading to spurious positives and high background. Do not bake slides after sectioning.

Sections between 6-10 µm should be collected onto slides pretreated for electrostatic adherence (e.g. Trevigen's Treated Glass Microscope Slides, cat# 4861-72). Prior to the labeling reaction the samples must be deparaffinized. Optimal labeling is achieved when the samples are processed within days of sectioning.

iii) Deparaffinization

Sections prepared from paraffin blocks require removal of the paraffin prior to the labeling reaction.

Method

1. Warm slides to 57 °C for 5 minutes.
2. Immerse sections in 2 changes of xylenes, 5 minutes each.
3. Immerse sections in 100%, 95% then 70% ethanol, 5 minutes each.
4. Wash 2 times in 1X PBS, 5 minutes each.
5. Proceed to Labeling Procedure below.

Storage

It is preferable to store the uncut paraffin block at room temperature, as opposed to in sections.

Note: The xylenes and ethanols used for deparaffinization can be reused several times (up to 100 slides may be processed in 200 ml) but they must not be used for rehydration of non-embedded samples or for dehydration after performing the labeling reaction.

B. *In Situ* Labeling Procedure

Details on the labeling procedure are provided in the table below.

Labeling Samples on Slides

Wash slides using small Coplin histology jars. Each jar holds up to 50 ml of buffer and up to 10 slides. For procedural steps involving 50 µl per sample, place slides on a flat surface and spot reagent from above using a pipette tip; do not touch the sample with the pipette tip. Small biopsy samples are easily covered with 50 µl. If 50 µl does not cover the sample, Hydrophobic Coverslips (cat# 4867-100) may be used after pipetting the 50 µl volume. Lower the Hydrophobic Coverslip from one edge and press down gently to expel any air bubbles. Remove Hydrophobic Coverslips by dipping the slide vertically in distilled water.

Labeling Samples in Chamber Slides

Remove chamber walls and gasket after fixation and process as described for slides. Hydrophobic Coverslips may be used for all steps involving 50 µl reaction volumes. If different labeling reactions are performed on samples on the same slide, leave the plastic walls in place until after the labeling reaction, then remove the plastic walls and rubber gasket and proceed as described above.

Labeling Samples on Glass Coverslips

Process the 12 mm glass coverslips with the cell-side facing up in the 24-well tissue culture plate. Wash by filling the wells with buffer and removing with a Pasteur pipette (use a gentle vacuum if available). Spot the 50 µl reaction volumes directly onto the coverslip. Alternatively, spot the 50 µl reaction buffers onto a clean glass slide, then remove 12 mm glass coverslip from the well and flip it over, cell-side down, on top of the reagent. Use fine tipped forceps and handle glass coverslips only at the very edges. For dehydration and clarification, dip the 12 mm glass cover slips individually in ethanol series and xylenes for 20 seconds.

Note: Xylenes will melt plastics, therefore, do not add xylenes to tissue culture plates.

Labeling Procedure for Immobilized, Fixed, and Rehydrated Samples in 1X PBS

Step	Instructions	Notes
1	Place samples in 1X PBS for 10 minutes at room temperature after rehydration in ethanols. Carefully dry glass slide around sample.	DO NOT allow sample to DRY at any stage prior to completion of protocol.

Step	Instructions	Notes
2	Cover sample with 50 µl of Proteinase K Solution and incubate 15 to 30 minutes at room temperature, or cover sample with 50 µl of Cytonin™ and incubate for 30-120 minutes at room temperature or 4 °C. If necessary, use Cover Slips.	Cytonin™ is recommended for frozen sections and when protease treatment will destroy antigens of interest in double labeling experiments. Refer to Section VI, <i>Reagent Preparation</i> . Time of Proteinase K treatment will vary between cell type. Start at 15 minutes and increase if no labeling occurs.
3	Wash 2 times in deionized water, 2 minutes each.	
4	Immerse slides in Quenching Solution for 5 minutes at room temperature.	Refer to page 4 for reagent preparation. Do not leave longer than 5 minutes since hydrogen peroxide can damage DNA.
5	Wash samples in 1X PBS for 1 minute at room temperature.	Refer to page 3 for reagent preparation.
6	Immerse slides in 1X TdT Labeling Buffer for 5 minutes.	Refer to page 4 for reagent preparation.
7	Cover sample with 50 µl of Labeling Reaction Mix and incubate at 37 °C for 30 minutes in a humidity chamber. If necessary, use Hydrophobic Coverslips.	Refer to page 4 for reagent preparation. Use humidity chamber during incubation time. For details see Appendix E. To generate a positive control using TACS-Nuclease™, add 1 µl of TACS-Nuclease™ to 50 µl of Labeling Reaction Mix and cover sample. Incubate at 37 °C for 30 minutes. Refer to page 12 for Controls.
8	Immerse samples in 1X TdT Stop Buffer for 5 minutes at room temperature, to stop labeling reaction.	Refer to page 4 for reagent preparation.
9	Wash samples 2 times in 1X PBS for 2 minutes each at room temperature.	This step removes unbound conjugate.
10	Cover sample with 50 µl of Antibody Solution and incubate for 30 minutes at 37 °C. If necessary, use Hydrophobic Coverslips.	Refer to page 5 for reagent preparation. Incubation may be extended to 60 minutes if desired.
11	Wash samples 3 times in 1X PBST for 2 minutes each at room temperature.	Refer to page 3 for reagent preparation.
12	Cover sample with 50 µl of Strep-HRP Solution for 10 minutes at room temperature. If necessary, use Hydrophobic Coverslips.	Refer to page 5 for reagent preparation.
13	Wash samples 2 times in 1X PBS for 2 minutes each at room temperature.	
14	Wash sample 1 time in deionized water, 2 minutes	
15	Cover sample with 50 µl of TACS Blue Label™ for 2-5 minutes at room temperature.	Monitor color development under a microscope for optimal results.
16	Wash samples in several changes of deionized water for 2 minutes each.	
17	Proceed to Counterstaining and Preparation for Viewing.	

C. Counterstaining and Preparation for Viewing

Skin cells and samples may be counterstained with Red Counterstain C (cat# 4800-30-19). Glass coverslips can be held in fine tipped forceps and dipped individually into the stains and ethanols. Spot only 25 µl mounting medium onto a clean glass slide and mount the coverslip, cell side down, onto the slide. If a plastic support was used for cell culture do not pass through xylenes.

Method

1. Immerse samples in deionized H₂O for 2 minutes.
2. Immerse samples for 30 seconds to 5 minutes in Red Counterstain C.
3. Wash slides sequentially by dipping ten times in 2 changes of deionized water.
4. Air dry **or** dehydrate by dipping ten times in 95%, then 100% ethanol.
5. Clarify by dipping ten times, in two changes of o- or p-xylene. Wipe off excess xylene from the back of the slide and lay slide flat.
6. Place one drop, about 25 µl, of mounting media from a 100 µl pipette onto sample.
7. Lower glass cover slip onto sample and apply gentle even pressure to expel air bubbles.
8. Leave slide flat overnight to allow mounting media to harden. Store slides in the dark.

VIII. Controls

If you wish to use a pre-prepared control you may use either the Cell Culture Control Slides (cat# 4800-30-20) or the recommended EpiDerm Control Slides (cat# 4800-30-42)--sections of synthetic human skin tailored for use with our DermaTACS™ kit. These controls allow you to run through the procedure to become familiar with handling the samples, etc. Each set of Control Slides is shipped with a product information sheet that provides information on the recommended permeabilization method, incubation times, and interpretation of data. It is critical to run controls using the provided TACS-Nuclease™ to assess and optimize cell/tissue permeabilization; the recommended experimental controls are listed below:

TACS-Nuclease™-Treated Control

Treat one sample with TACS-Nuclease™ to generate DNA breaks in every cell. The TACS-Nuclease™-treated control will confirm that the permeabilization and labeling reaction has worked. The information can help optimize the conditions for the labeling procedure. The majority of cells should exhibit pale blue nuclear staining.

Method

For most cells and tissues TACS-Nuclease™ can be added directly to the labeling mix of the positive control sample. Add 1 µl of TACS-Nuclease™ to 50 µl of complete labeling mix and incubate for the regular labeling time. Avoid repeated freeze-thaw cycling.

Alternatively, if the incubation time with the TACS-Nuclease™ needs to be reduced, use the following method:

1. After treatment with Cytonin™ or Proteinase K Solution, wash 2 times in deionized water, 2 minutes each.
2. Prepare TACS-Nuclease™ Solution:

	2 samples	10 samples	n samples
TACS-Nuclease™ Buffer (cat# 4800-30-16)	100 µl	500 µl	n x 50 µl
TACS-Nuclease™ (cat# 4800-30-15)	2 µl	10 µl	n x 1 µl

3. Cover sample with 50 µl of TACS-Nuclease™ Solution.
4. Incubate at 37 °C for 10 to 60 minutes in a humidity chamber. If necessary, use Hydrophobic Coverslips.
5. Wash 2 times in 1X PBS for 2 minutes each.
6. Continue with Step 3, Labeling Procedure, page 11.

Unlabeled Experimental Control Sample

The TdT Enzyme should be omitted from the Labeling Reaction Mix for one sample. This control will indicate the level of background labeling associated with non-specific binding of the Strep-HRP. This control should not have any blue staining.

Experimental Negative Control Sample

An appropriate experimental control should be included in each experiment and will depend upon the system under study. Typically the experimental negative control will be untreated keratinocytes, or normal skin tissue. Most normal or untreated cells and tissues will have a small number of apoptotic cells so a few cells may be positive for blue staining.

Counterstaining Controls

It is recommended to process one or two samples up to and including the deionized water wash step after the Quenching Step of the Labeling Procedure. Process through counterstaining. Staining times of 5 seconds to 5 minutes have been noted. It is recommended to start with a 1 minute immersion in Red Counterstain C and alter accordingly.

IX. Data Interpretation

Apoptosis is often defined by morphological criterion. Morphological data obtained from standard microscopy and histochemistry should always be considered in conjunction with biochemical assays used to confirm apoptosis.

Red Counterstain C allows all cells in the specimen to be visualized. Cells that are condensed (pyknotic, mitotic or apoptotic) will exhibit increased Red Counterstain C uptake. Cells containing fragmented nuclear chromatin characteristic of apoptosis will exhibit a blue nuclear staining that may be very dark after labeling. This dark blue staining is typically associated with cell condensation. Blue staining in the cytoplasm as well as the nucleus of enlarged or swollen cells may occur in instances of necrosis. In tissue sections where cells have been torn open during sectioning or the edges of the specimen are ragged there may be non-specific blue staining that is not associated with nuclei.

The Controls listed in Section VIII are important in data interpretation. These Controls allow optimization of *in situ* detection of apoptosis without expending valuable test samples. Under optimal conditions the Unlabeled Control (e.g. enzyme omitted) should show no blue staining, the TACS-Nuclease™ treated sample should show pale blue staining in almost all cells, and the Experimental Negative Control should have few, if any blue stained cells. The blue staining of TACS-Nuclease™ treated cells is paler and usually more diffuse than the staining of truly apoptotic cells. This is due to the difference in chromatin structure between nuclease treated normal cells and the fragmented chromatin of apoptotic cells. The Counterstain Control should show pale red/pink staining of all cells with some variability in intensity between cell types and darker staining of any condensed cells within that sample. Refer to the Troubleshooting Guide for information if the Controls do not provide the expected result.

X. Troubleshooting

Rule out major problems by checking the labeling in the control samples first.

Troubleshooting Guide		
Problem	Cause	Action
No labeling in experimental sample.	No apoptosis (or necrosis) occurring in sample.	If all controls gave the expected results and were processed at the same time as the experimental sample there may be no DNA fragmentation in cells within the sample.
Experimental sample shows extensive cytoplasmic staining.	High rate of cell death, late apoptosis or necrosis.	Necrotic samples will exhibit cytoplasmic staining. Apoptosis in cell culture will progress to necrosis. Reduce time of treatment in cell culture.
Blue staining of cells when the TdT enzyme is omitted from the Labeling Reaction Mix.	Endogenous peroxidase activity inadequately quenched. Excessive peroxidase activity in sample (rare). Non-specific binding of Strep-HRP conjugate. Sample dried out during the labeling procedure.	Use fresh aliquots of 30% hydrogen peroxide. Increase concentration of hydrogen peroxide in Quenching Solution to 5%. Increase number of washes after binding. Decrease concentration of Streptavidin by diluting stock solution up to 1 in 800. Use Hydrophobic Coverslips (or lids for plates or chamber slides) and incubate in humidity chamber.
No staining in TACS-Nuclease™-treated sample.	Poor permeabilization and/or excessive fixation with cross-linking fixative (common with archival tissue) preventing enzyme access. No DNA left in sample due to hydrolysis (poor storage of samples or sections). Excessive (removed all DNA) or inadequate TACS-Nuclease™ treatment. TdT Enzyme is inactive. The enzyme is the most labile component in the kit. Mixed xylenes were used during clarification and Blue Label was solubilized.	Increase incubation time with Proteinase K (up to 60 minutes) or Cytonin™ (up to overnight at 4 °C). Read Sample Preparation and Storage of Samples, pages 6-10, prior to labeling. Optimize time for Nuclease treatment (5 minutes up to 2 hours). TdT Enzyme must be stored at -20 °C in a manual defrost freezer. Do not bring enzyme up to ice temperature. Place in -20 °C block or remove aliquot from tube directly in freezer. Use only o- or p-xylene that do not contain contaminating benzenes.
Red Counterstain C is too dark.	Overstaining	Reduce time in Red Counterstain C.

Problem	Cause	Action
Labeling of majority of cells in the negative experimental control (e.g. normal skin sample or untreated cells) when there is no labeling if the enzyme is omitted and satisfactory labeling of the Nuclease-treated control.	High level of apoptosis (or necrosis) in negative control. Excessive Proteinase K treatment	Select a more appropriate negative control or inhibit apoptosis in cell culture (e.g. with protein synthesis inhibitors). Check morphology of cells prior to assay for evidence of excessive apoptosis. Reduce incubation time in Proteinase K solution to 5-15 minutes. Or dilute Proteinase K 1:200 in water and incubate sample for 15 minutes.

XI. References

1. Apoptosis: the molecular basis of cell death. Current communications in cell and molecular biology, Vol 3. Ed. L. D. Tomei and F. O. Cope (1991) Cold Spring Harbor Laboratory Press, New York.
2. Apoptosis II: the molecular basis of apoptosis in disease. Current communications in cell and molecular biology, Vol 8. Ed. L. D. Tomei and F. O. Cope (1994) Cold Spring Harbor Laboratory Press, New York.
3. Brunstrom, J.E., M.R. Gray-Swain, P.A. Osborne and A.L. Peariman (1997) Neuronal Heterotopias in the Developing Cerebral Cortex produced by Neurotrophin-4. *Neuron* **18**:505-517.
4. Dakhama, A. R.G. Hegele (1996) A nonradioactive method for rapid and sensitive detection of polymerase chain reaction products by use of bromodeoxyuridine. *Modern Pathology* **9**: 849-853.
5. Gavrieli, Y., Y. Sherman, S.A. Ben-Sasson (1992) Identification of programmed cell death *in situ* via specific labeling of nuclear DNA fragmentation. *J. Cell Biol.* **119**:493-501.
6. Gratzner, H.G. (1982) Monoclonal antibody to 5-bromo and 5-iododeoxyuridine. A new reagent for detection of DNA replication. *Science* **218**:474.
7. Kerr, J.F., G.C. Gobe, C.M. Winterford and B.V. Harmon (1995) Anatomical methods in cell death. *Methods in Cell Biology* **46**:1-27.
8. Negoescu, A. et al., *In situ* apoptotic cell labeling by the TUNEL method: improvements and evaluation on cell preparation. (1996) *J. Histochem. Cytochem.* **44**: 959-968.
9. Shi, S.-R., R.J. Cote, L.L. Young and C.R. Taylor (1997) Antigen retrieval immunohistochemistry: practice and development. *J. Histochemistry* **20**:145-154.
10. Yamawaki, M., A. Zurbriggen, A. Richard and M. Vandeveld (1993) Saponin treatment for *in situ* hybridization maintains good morphological preservation. *J. Histochem. Cytochem.* **41**:105-109.

XII. Related products available from Trevigen.

Catalog #	Description	Size
4817-60-K	FlowTACS™ Kit	60 samples
4822-96-K	HT TiterTACS™ Assay Kit	96 tests
4830-01-K	TACS® Annexin V FITC Kit	100 samples
4835-01-K	TACS® Annexin V Biotin Kit	100 samples
6300-100-K	DePsipher™ Mitochondrial Potential Assay Kit	100 tests
6305-100-K	MitoShift™ Mitochondrial Potential Assay Kit	100 tests
4815-30-K	TumorTACS™ <i>In Situ</i> Apoptosis Detection Kit	30 samples
4823-30-K	NeuroTACS™ <i>In Situ</i> Apoptosis Detection Kit	30 samples
4827-30-K	CardioTACS™ <i>In Situ</i> Apoptosis Detection Kit	30 samples
4826-30-K	VasoTACS™ <i>In Situ</i> Apoptosis Detection Kit	30 samples
4828-30-DK	TACS•XL® DAB <i>In Situ</i> Apoptosis Detection Kit	30 samples
4828-30-BK	TACS•XL® Blue Label <i>In Situ</i> Apoptosis Detection Kit	30 samples
4810-30-K	TACS® 2 TdT DAB <i>In Situ</i> Apoptosis Detection Kit	30 samples
4811-30-K	TACS® 2 TdT Blue Label <i>In Situ</i> Apoptosis Detection Kit	30 samples
4812-30-K	TACS® 2 TdT Fluorescein Apoptosis Detection Kit	30 samples
4850-20-ET	TACS® Apoptotic DNA Laddering Kit EtBr	20 samples
4892-010-K	Cultrex® Calcein-AM Cell Viability Kit	1000 tests
4684-096-K	HT Colorimetric PARP Apoptosis Assay	96 samples
4685-096-K	HT Chemiluminescent PARP Apoptosis Assay	96 samples

Antibodies

Catalog #	Description	Size
2281-MC-100	Anti-Bax Monoclonal Antibody (Clone YTH-6A7)	100 µg
2291-MC-100	Anti-Bcl-2 Monoclonal Antibody (Clone YTH-8C8)	100 µg
4411-PC-100	Anti-Phosphorylated Histone-γ-H2AX polyclonal	100 µl
6361-PC-100	Anti-human/mouse-PBR polyclonal	100 µl
6370-MC-100	Anti-human/murine-Cytochrome C	100 µg
6380-MC-100	Anti-human/murine-Holocytochrome C	100 µg
4335-MC-100	Anti-PAR polymer mAb (10HA)	100 µl
4336-BPC-100	Anti- PAR polymer polyclonal	100 µl
4338-MC-50	Anti-human/murine-PARP mAb (clone C2-10)	50 µg

Accessories

Catalog #	Description	Size
4800-30-42	EpiDerm Control Slides	2 ea.
4800-30-40	Tissue Control Slides	2 ea.
4864-100	Treated Glass Microscope Slides w/3 sample Hydrophobic Barrier	100 ea.
4800-30-20	Cell Culture Control Slides	2 ea.
4867-100	Hydrophobic Coverslips	100 ea.
4865-25	Mounting Medium	25 ml
4800-30-14	Strep-Fluorescein	30 µl
4870-500-6	10X PBS	6 x 500 ml
4830-250-03	Propidium Iodide	2.5 ml
4869-500-6	Apoptosis Grade™ H ₂ O	6 x 500 ml
4820-30-13	Blue Counterstain	50 ml
4825-30-RL	Red Label	30 samples
4862-1	Coverslips	1 oz.
4878-05-02	Cytonin IHC™	2 x 5 ml

XIII. Appendices

Appendix A. Reagent and Buffer Composition

10X PBS, pH 7.4 (cat# 4870-500-6) – Sold Separately:

75 mM disodium hydrogen phosphate (Na_2HPO_4)
25 mM sodium dihydrogen phosphate (NaH_2PO_4)
1.45 M sodium chloride (NaCl)

Apoptosis Grade™ Water (cat# 4869-500-6) – Sold Separately:

Deionized (18 mΩ) sterile water
Distilled autoclaved water can be used

Cytonin™ (cat# 4876-05-01):

Proprietary permeabilization and blocking agent

Proteinase K (cat# 4800-30-01):

1 mg/ml proteinase K

10X TdT Labeling Buffer (cat# 4810-30-02):

1 M TACS Safe-TdT™ Buffer
0.5 mg/ml BSA (RIA Grade)
0.6 mM 2-mercaptoethanesulfonic acid (MESNA)

10X TdT Stop Buffer (cat# 4810-30-03):

0.1 M EDTA, pH 8.0

B-dNTP Mix (cat# 4828-30-04):

Optimized nucleotide mix of brominated dNTPs

Strep-Diluent (cat# 4828-30-12):

Optimized blocking agent

Anti-BrdU (cat# 4828-30-6):

Biotinylated mouse monoclonal antibody to bromodeoxyuridine

TACS-Nuclease™ (cat# 4800-30-15):

Proprietary endonuclease. Avoid repeated freeze-thaw.

TACS-Nuclease™ Buffer (cat# 4800-30-16):

50 mM Tris-Cl, pH 8.0
1 mM magnesium chloride
100 µg/ml BSA

Red Counterstain C (cat# 4800-30-19):

Proprietary eosin-based histology stain

Appendix B. Fixation Methods

There are several fixation methods commonly used that are appropriate for the protocol described in the Instructions for Use. Formaldehyde is the recommended fixative based on laboratory testing. However, other fixatives that maintain DNA integrity may be used. These

include other cross linking agents such as paraformaldehyde and glutaraldehyde. Bouin's fixative should be avoided due to the picric acid content. Regardless of the fixative used, it is important not to fix cells and tissues for extended periods of time. Your fixation method will likely be dictated by immunocytochemistry protocols in double labeling experiments.

To store the immobilized fixed cells, i.e. on slides, chamber slides or coverslips, cover with Cytonin™ at 4 °C for up to one month. After storage, wash in 1X Labeling buffer then continue with the labeling reaction. **Note:** If cells are fixed using alcohol, e.g. ethanol, there will be leakage of small DNA fragments from apoptotic cells during storage and labeling intensity of apoptotic cells will be reduced.

Appendix C. Suggestions for Assay Optimization

When using paraffin-embedded sections, permeabilization is often a limiting step, therefore, start with a 1:50 dilution of proteinase K for permeabilization at 37 °C for 15 minutes. If background is high, reduce the proteinase K concentration and incubation time and temperature. If insufficient permeabilization is suspected, incubate the sample with a 1:50 dilution of proteinase K at 37 °C for 30 minutes. When using fresh frozen sections, nominal permeabilization is required, therefore, start with Cytonin™ for permeabilization. If there is no labeling, permeabilize with proteinase K at 1:200 for 15 minutes at 37 °C.

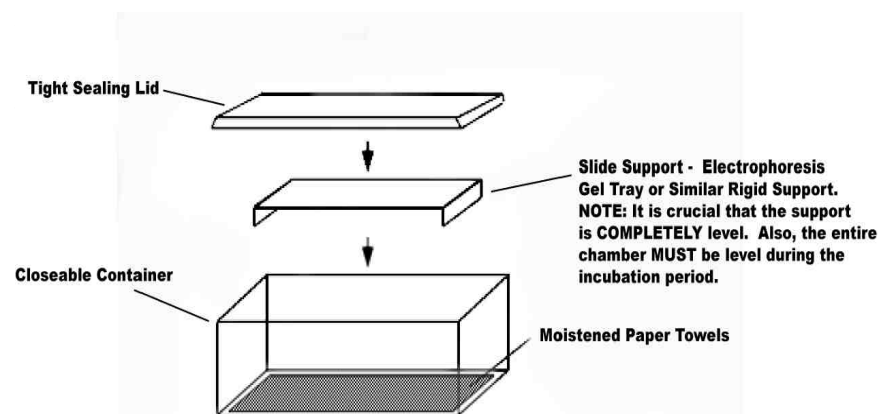
Freshly prepared cells usually do not require proteinase K treatment, therefore, use Cytonin™. If there is no labeling, permeabilize with proteinase K at 1:200 for 15 minutes at 37 °C.

Appendix D. Electron Microscopy

The protocol given here can be adapted for electron microscopy. Both pre- and post-embedding labeling can be performed depending upon the system under study. For pre-embedding, fix sample and post-fix in osmium. After embedding and ultrathin sectioning, process sample for DNA labeling up to and including the washes of the labeling procedure prior to incubation with streptavidin. For detection of incorporated biotin using streptavidin conjugated to colloidal gold and incubate overnight at 4 °C. Stain with uranyl acetate.

For some samples post-embedding may be more convenient. Use fixed floating sections and process for *in situ* labeling up to and including the washes in the labeling procedure prior to streptavidin binding. Incubate in streptavidin conjugated to colloidal gold overnight at 4 °C. Wash, then proceed with standard embedding procedure and ultra thin sectioning. Contact Trevigen, Inc. for more details.

Appendix E. Humidity Chamber



**The product accompanying this document is intended
for research use only and is not intended for
diagnostic purposes or for use in humans.**



Please
Recycle

Trevigen, Inc.

8405 Helgerman Ct. Gaithersburg, MD 20877

Tel: 1-800-873-8443 • 301-216-2800

Fax: 301-560-4973

e-mail: info@trevigen.com

www.trevigen.com